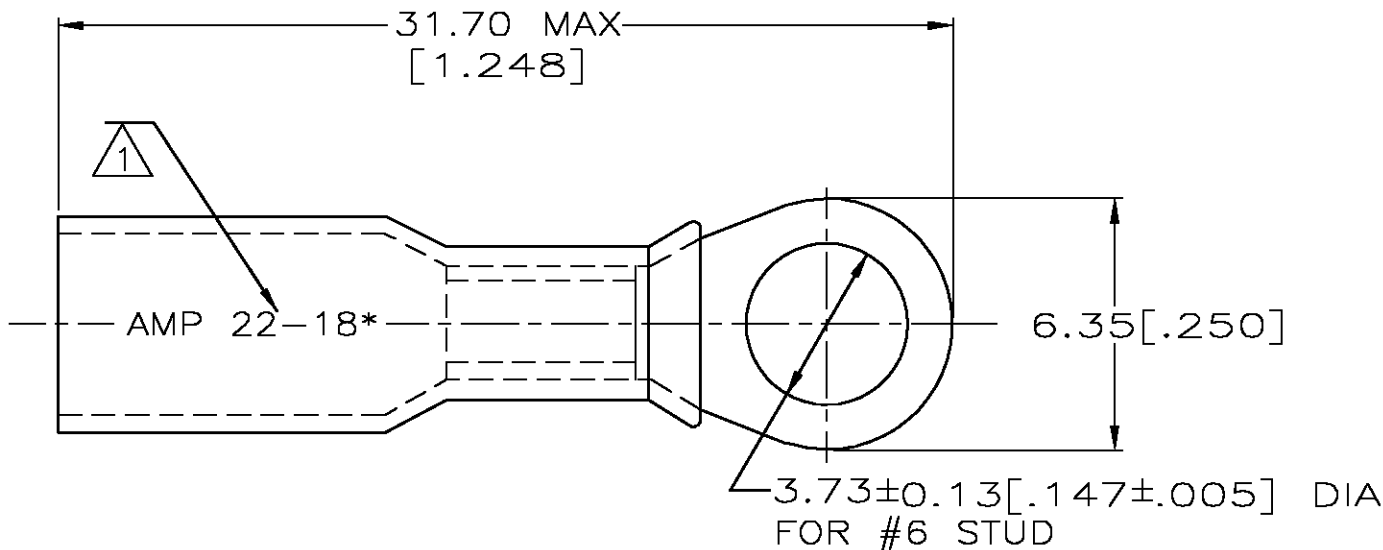


THIS DRAWING IS UNPUBLISHED. RELEASED FOR PUBLICATION ,19
 © COPYRIGHT 19 BY AMP INCORPORATED. ALL INTERNATIONAL RIGHTS RESERVED.

LOC	DIST	P	F	REVISIONS				DATE	APPD
G	14			ZONE	LTR	DESCRIPTION			
					B	REV PER 0G3A-0001-03	06JAN03	JR TM	

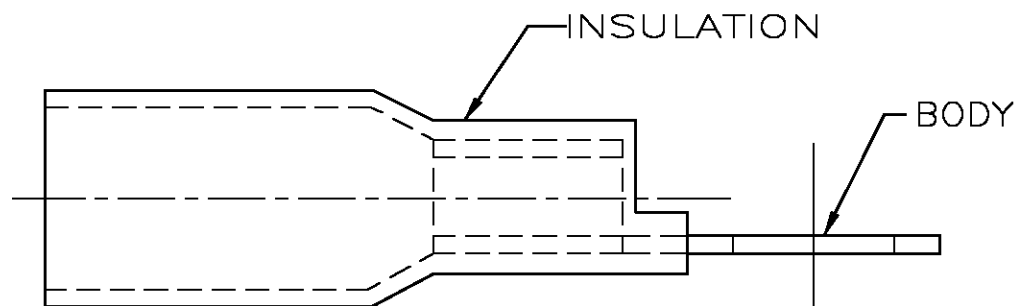
AMP WIRE RANGE	Listed	Certified
22-18 AWG STRANDED	22-18 AWG STRANDED	22-18 AWG STRANDED

METRIC
 DIMENSIONS LISTED IN mm [INCHES]



NOTES:

- 1. STAMP AMP 22-18* APPROX AS SHOWN
- 2. WIRE INSULATION DIA 4.32mm [.170] MAX
- 3. TONGUE MATERIAL THK 0.76±0.05mm [.030±.002]



50	LOOSE PIECE	8-55846-2
1000	LOOSE PIECE	55846-1

AMP INCORPORATED CUSTOMER SERVICE SYSTEMS		MAX RECOMMENDED OPERATING TEMPERATURE: 125° C MAX	DO NOT SCALE PRINT. UNLESS SPECIFIED	DR 6/93 S S GOULDEN	AMP AMP Incorporated Harrisburg, PA 17105-3608
FOR ADDITIONAL PRODUCT INFORMATION OR COPIES OF DRAWINGS AND TECHNICAL DOCUMENTS	PRODUCT INFORMATION CENTER 1-800-522-6752	VOLTAGE RATING: 600V MAX (BUILDING WIRING) 1000V MAX (FIXTURES & SIGNS)	DIMENSIONS IN mm [INCHES] TOLERANCES ON: 2 PLC DEC ± 0.20[.008] 3 PLC DEC ± - ANGLES ± -	CHK 6/93 R HERSEY	
FOR APPLICATION TOOLING INFORMATION	TOOLING ASSISTANCE CENTER 1-800-722-1111	CIRCULAR M/JL AREA: 0.26-0.96mm ² [509 TO 1900] STRANDED	MATERIAL BODY: ETP COPPER INSULATION: POLYOLEFIN COLOR: RED	APPD 6/93 B BARE	NAME TERMINAL, RING TONGUE, SEALABLE HEAT SHRINKABLE
FOR ORDER ENTRY	1-800-526-5142	THIS DRAWING IS A CONTROLLED DOCUMENT FOR AMP INCORPORATED. IT IS SUBJECT TO CHANGE AND THE CONTROLLING ENGINEERING ORGANIZATION SHOULD BE CONTACTED FOR THE LATEST REVISION.	FINISH EDP TIN PLATED	APPD 6/93 M ELLIS	SIZE B
				PRODUCT SPEC -	CAGE CODE 00779
				APPLICATION SPEC -	DRAWING NO C-55846
				WEIGHT -	SCALE NTS
					SHEET 1 OF 1